

THIS DOCUMENT CONTAINS PROPRIETARY INFORMATION WHICH IS THE PROPERTY OF QSC AUDIO PRODUCTS, THAT MAY NOT BE DISCLOSED, REPRODUCED OR USED WITHOUT EXPRESS WRITTEN CONSENT FROM QSC AUDIO PRODUCTS.

ZONE		REV	DESCRIPTION	DATE	APPROVED
A4			PRODUCTION RELEASE PER ECO 1272 RDS-PHQ	11-4-91	SGM
B			REVISED PER ECO 1685 WR	11-23-92	SGM
C			REVISED PER ECO 1795 lg.	4-21-93	SGM
D			REVISED PER ECO 2094 MP	1-12-94	SGM
D1			REVISED PER ECO 2201 WR (EFF. 8-5-94)		

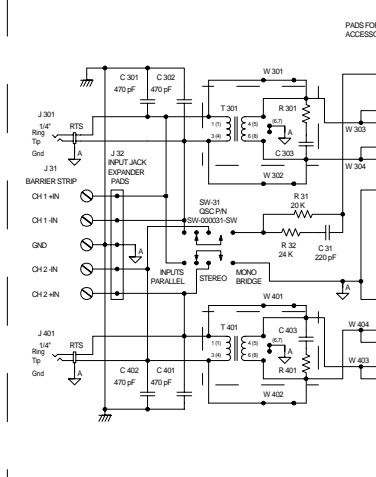
SCHEMATIC, 2-CH POWER AMPLIFIER, MX-2000-A
 REV D1, 3-24-94, PER PC-002010-00 REV C, PC-001512-00 REV B, PC-001512-00 REV C1
 DOC NO. SH-002010-00, FILE SH-001511.FCD, SEE FILE NO. SH-001511.FCD

PART NUMBERING SCHEDULE FOR PCBs USED IN MX-2000-A:

PCB NUMBER	DESCRIPTION	CH 1 PARTS	CH 2 PARTS	PARTS IN COMMON
PC-001511-00	DISPLAY PCB	101-109	201-209	10-20
PC-001512-00	INPUT PCB	301-399	401-499	31-49
PC-004003-00	AC PCB	501-599	601-699	51-69
PC-002010-00	AMPLIFIER PCB	901-UP (SAME BOARD FOR CH 1, CH2)		

- SCHEDULE OF TEST POINTS:** J903-1, ETC.
- J903-1: NEGATIVE LIMITING VOLTAGE
 - J903-2: POSITIVE LIMITING VOLTAGE
 - J903-3: NOT USED
 - J903-4: AMPLIFIER LOOP/AMP OUTPUT
 - J903-6: SWITCHED POS AMPLIFIER RAIL - CAUTION, HIGH VOLTAGE
 - J903-8: SWITCHED NEG AMPLIFIER RAIL - CAUTION, HIGH VOLTAGE

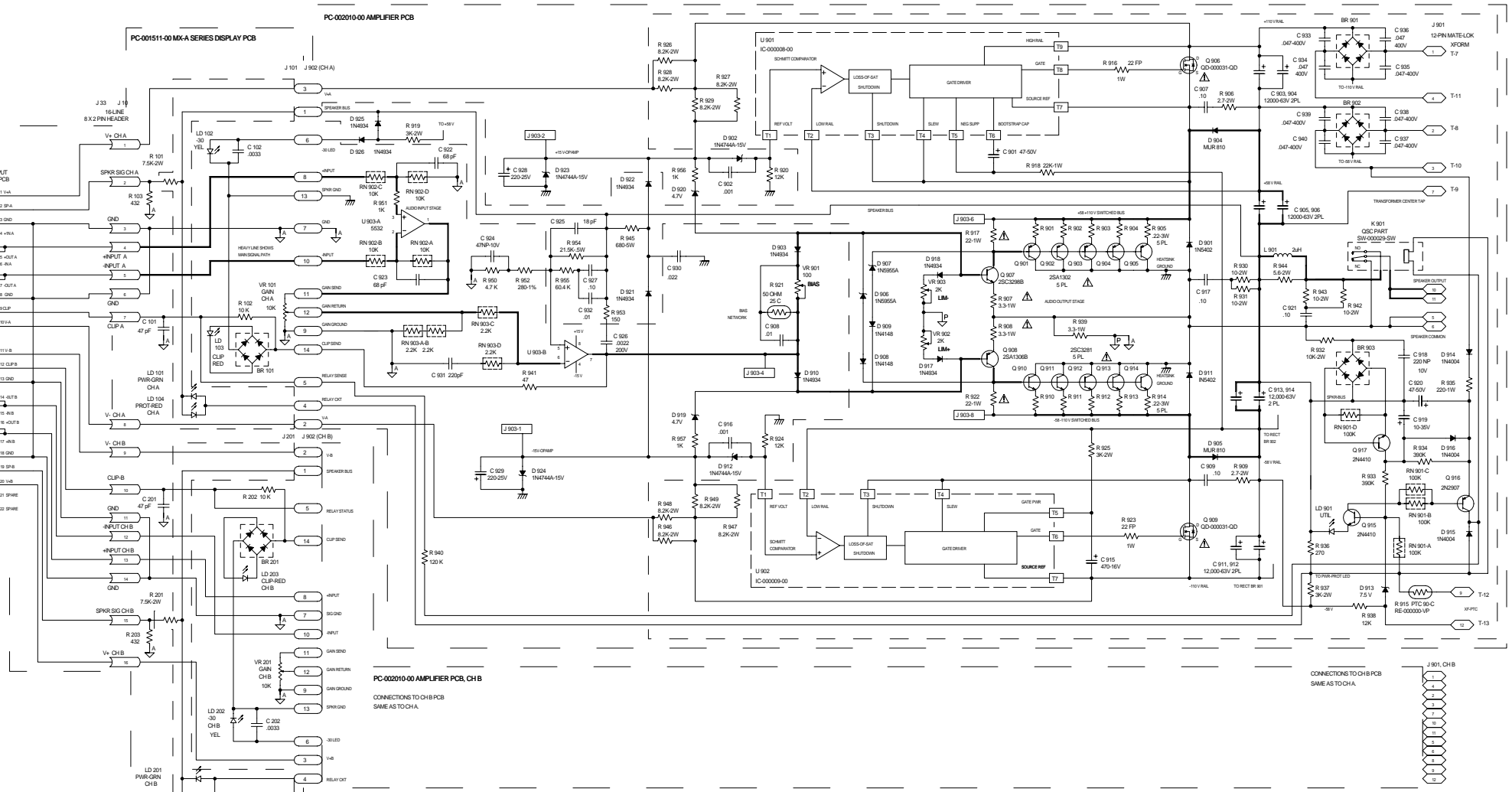
PC-001512-00 MX-A SERIES INPUT PCB



- INPUT PCB NOTES:**
- BOARD SHIPPED WITH W301-304, W401-404 MOUNTED AS SHOWN.
 - PARTS WITH IN-DOTTED OUTLINE FOR USER INFORMATION. SEE MANUAL.
 - TRANSFORMER PIN NUMBERS: 1-4 TRAD; 11-14P (1-4 JENSEN, J7 804).
- NOTES:**
- CHB IDENTICAL TO CHA.
 - ALL RESISTORS 1/4 WATT, 5% UNLESS NOTED.
 - ALL CAPACITORS 100V UNLESS NOTED.
 - TOLERANCE 20% FOR ELECTROLYTIC TYPES, 10% ON OTHER TYPES.
 - R 915 IS POSITIVE TEMPERATURE COEFFICIENT RESISTOR, LTD TO HEAT SINK. RESISTANCE 100 OHM COLD, RISING AT 85 C. QSC PN RE-000000-PT.
 - Q 906, 908 ARE SWITCHING FETS. QSC PN QD-000001-Q2 (125 W, 60 V MINIMUM ON RESISTANCE 0.030 OHMS MAX).
 - ZENER D 913, MARKED 7.5 V, LOW LEAKAGE, QSC PN QD-0001-5ZT.
 - BRIDGE RECTIFIER BR 901, 902 ARE 40A, 400V, QSC PN QD-0000-881.
 - PARTS MARKED WITH TRIANGLE: REPLACE IN EXACT TYPE ONLY.
 - PARTS WITH IN-DOTTED OUTLINE: VOLTAGES GREATER THAN 40V.
 - BRIDGE RECTIFIER BR 101, 201, 301, 15A, 100V.

LAST USED REFERENCE DESIGNATORS, PC-002010-00

COMPONENT	LAST USED
BRIDGE RECTIFIER	BR 903
CAPACITOR	C 902, N/C C 910
DIODE	D 908
CONNECTOR	J 903
INDUCTOR	L 901
LED	LD 901
TRANSISTOR	Q 917
RESISTOR	R 907
RESISTOR NETWORK	RN 903
VARIABLE RESISTOR	VR 903



PARTS LIST

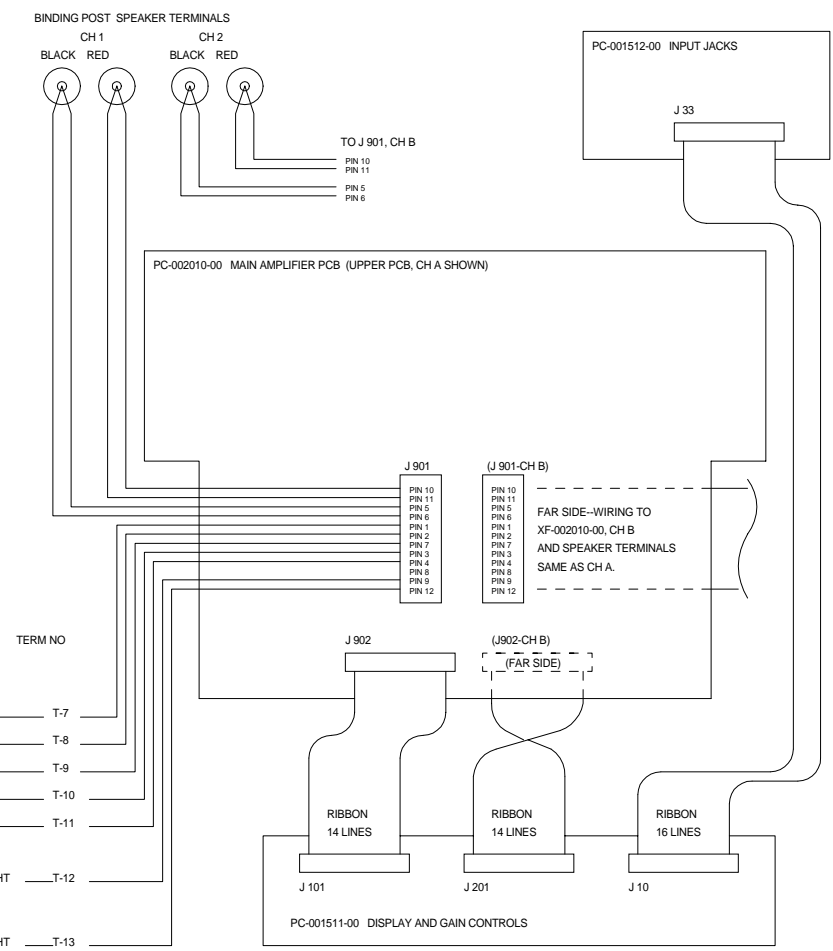
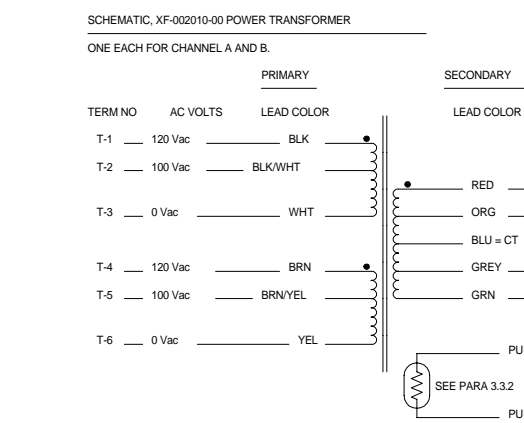
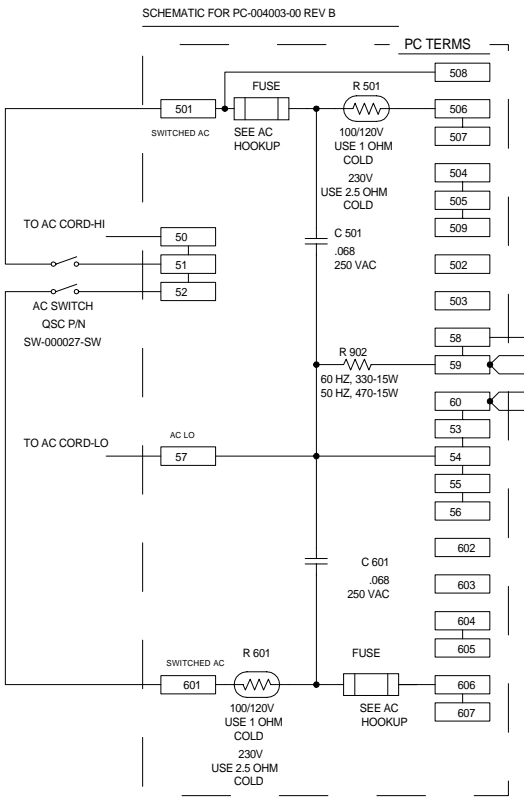
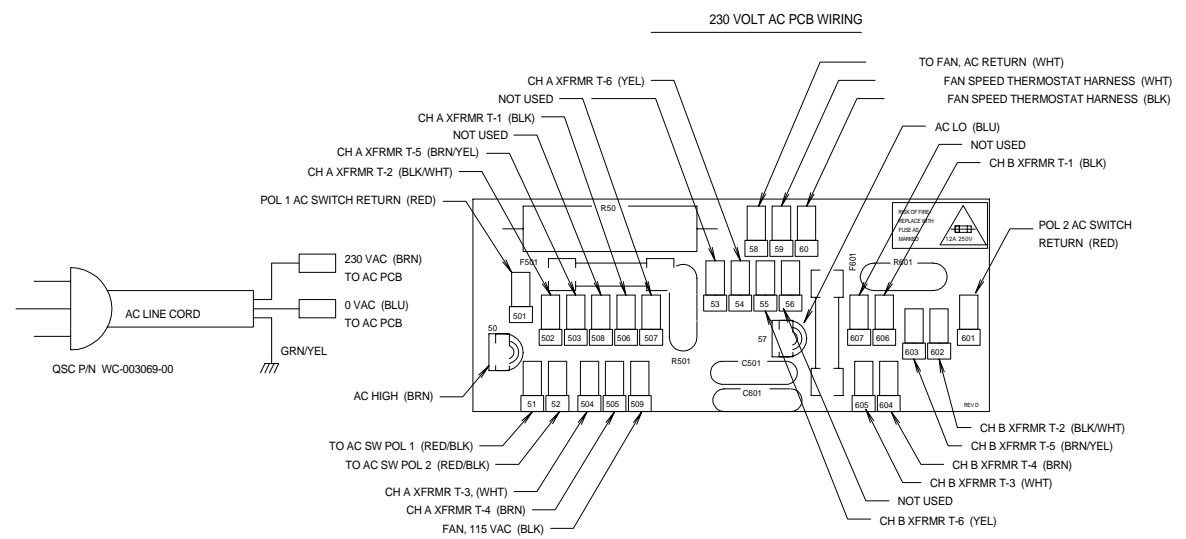
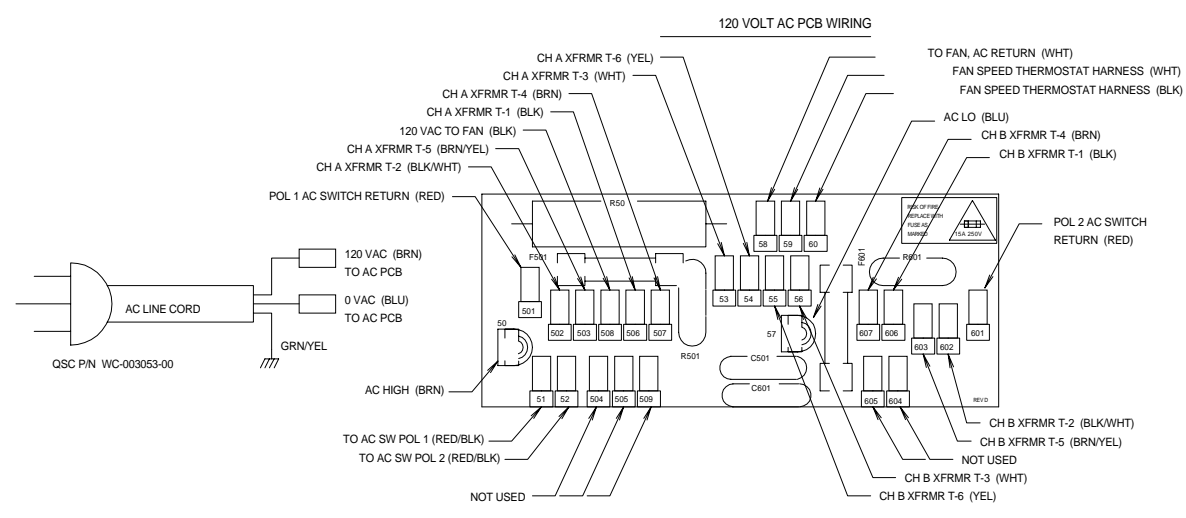
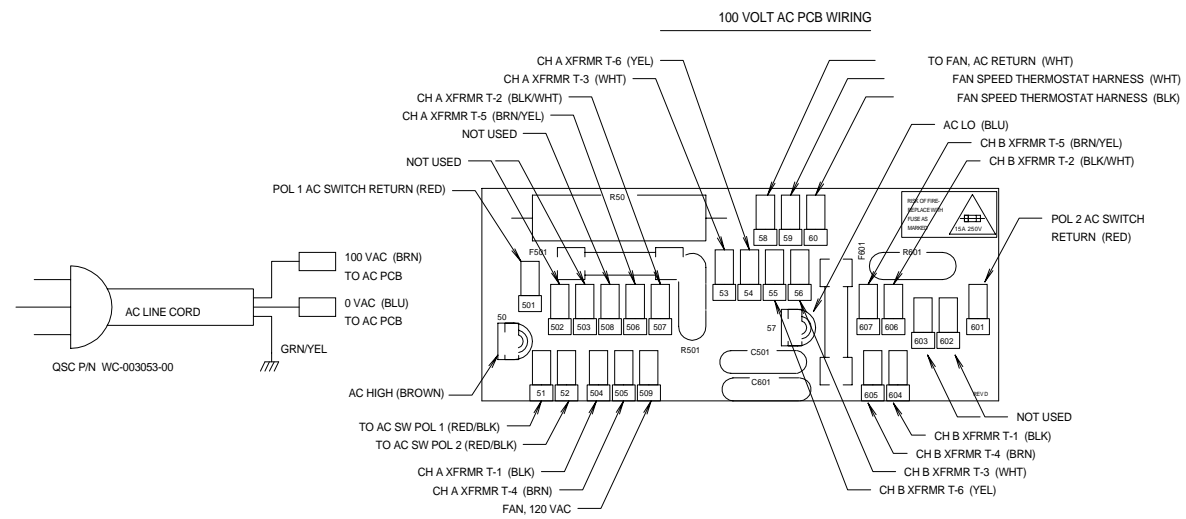
UNLESS OTHERWISE SPECIFIED DIMENSIONS ARE IN INCHES. DIMENSIONS PER ANSI Y14.5-1982. TOLERANCES ARE: DECIMALS: .005; ANGLES: .5°; DEBURR EDGES: .XXX R MAX.

CONTRACT NO.			SCHEMATIC, MX 2000a	
APPROVALS	DATE		SIZE	FROM NO.
DRAWN	PHQ	10-24-91	DWG NO.	
CHECKED	SGM	3-23-92	SH-002010-00	REV D1
ISSUED	S. G. MORALES	2-27-92	CAD SEED FILE NO.	SH-002010-00
NEXT ASSY	USED ON	SCALE	CAD FILE NO.	S2101011.FCD
APPLICATION	DO NOT SCALE DRAWING	SHEET		1 OF 1

1. PLOTTED AT SCALE-TO-FIT, .625
 NOTES: UNLESS OTHERWISE SPECIFIED

THIS DOCUMENT CONTAINS PROPRIETARY INFORMATION WHICH IS THE PROPERTY OF QSC AUDIO PRODUCTS, THAT MAY NOT BE DISCLOSED, REPRODUCED OR USED WITHOUT EXPRESS WRITTEN CONSENT FROM QSC AUDIO PRODUCTS.

REVISIONS				
ZONE	REV	DESCRIPTION	DATE	APPROVED
	A	PROTO RELEASE, PHQ	9-2-91	
	B	PRODUCTION RELEASE PER ECO 1329, PHQ	19-1-91	SGM
	C	REVISED PER ECO 1480 LMG	6-18-92	SGM
	D	REVISED PER ECO 1735 WR	6-18-92	SGM
	E	REVISED PER ECO 2201 WR (EFF. 8-5-94)		



NOTES: UNLESS OTHERWISE SPECIFIED

PARTS LIST		CONTRACT NO.		QSC AUDIO PRODUCTS, INC. COSTA MESA, CALIFORNIA	
UNLESS OTHERWISE SPECIFIED DIMENSIONS ARE IN INCHES. DIMENSIONS PER ANSI Y14.5-1982		APPROVALS	DATE	SCHEMATIC/WIRING DIAGRAM MX 2000a	
TOLERANCES ARE: DECIMALS .02 .01 .005 ANGLES ± 1/2° DEBURR EDGES .XXX R MAX		PHQ	9-2-91		
MATERIAL		CHECKED			
FINISH		ISSUED		SIZE D	FROM NO.
WP-002003-XX	MX 2000a	CAD SEED FILE NO.	SH2011CD.FCD	DWG NO.	SH-002011-00
NEXT ASSY	USED ON	SCALE	NONE	CAD FILE NO.	SH2011E1.FCD
APPLICATION	DO NOT SCALE DRAWING	SHEET	1	OF 1	

REV E 1 SH-002011-00